

# TempStar®

## High Temperature Sanitizing Door-type

### Standard Features

- ▶ Built-in 70 °F (38.9 °C) rise booster heater with Sani-Sure™ final rinse system; 40 °F (22.2 °C) rise booster heater is available at no cost and must be specified at time of order
- ▶ Automatic tank fill
- ▶ Door-actuated start
- ▶ Four (4) selectable timed cycles
- ▶ Top-mounted controls for ease of operation
- ▶ Delime/manual wash mode
- ▶ 17-1/4" (438 mm) door opening accepts 18" (457 mm) trays
- ▶ Specially designed stainless steel nozzles provide superior cleaning action
- ▶ Interchangeable wash/rinse arms screw out for simple cleanup
- ▶ Door switch
- ▶ 1 HP self-draining stainless steel wash pump
- ▶ Vent fan control shuts vent fan off when machine is idle
- ▶ Large scrap basket
- ▶ Single point connections for all utilities
- ▶ Field convertible from straight through to corner and vice versa (kit required)
- ▶ Field convertible from 3-phase to single-phase and vice versa (kit required)
- ▶ Low watt density electric wash tank heater
- ▶ Hi-limit thermostat and low water protection
- ▶ Detergent/rinse additive signal connection fuse box
- ▶ Front stainless steel dress panel
- ▶ Uses standard 20" X 20" (508 mm X 508 mm) racks
- ▶ Adjustable bullet feet
- ▶ Durable stainless steel construction



### Specification Statement

Specified unit will be a Jackson TempStar high temperature sanitizing door-type dishwasher, rated by ETL Sanitation to NSF/ANSI Standard 3. Unit will be ENERGY STAR® certified. Unit to be rated for 63 racks per hour, 0.89 gallons per rack, and will include a built-in 70 °F rise (40 °F rise optional) booster heater with Sani-Sure™ final rinse system, four (4) selectable timed cycles, and top mounted controls. Other features include automatic tank fill, delime mode, vent fan control, interchangeable wash/rinse arms, and 1 HP stainless steel wash pump motor. Constructed of durable stainless steel with adjustable bullet feet.

**1-year parts and labor warranty.**

### Options & Accessories

- ▶ 40 °F (22.2 °C) rise booster heater (must be specified on P.O.)
- ▶ 460V Electrical
- ▶ Single Phase
- ▶ Pressure Regulator
- ▶ Drain Water Tempering Kit
- ▶ Water Hammer Arrestor
- ▶ Flanged Feet
- ▶ Door Interlock
- ▶ False Panel (for corner installations)
- ▶ Security Package
- ▶ Scallrol
- ▶ Replacement Cartridge for Scallrol
- ▶ 36-Compartment Rack 4-1/8" tall (105 mm)
- ▶ 5-5/8" tall (143 mm)
- ▶ 7" tall (178 mm)
- ▶ Combination Rack
- ▶ Peg Rack

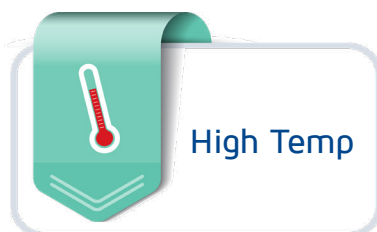


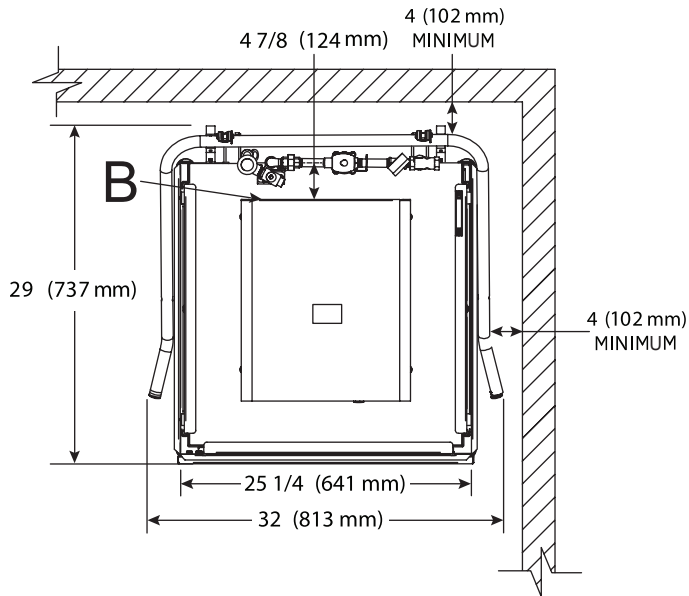
## TempStar®

Whether you are washing a delicate wine glass, fine china, or a greasy pot, the TempStar cleans them all! Four wash cycle selections let you customize what is best for your rack load. This robust high temperature sanitizing dishmachine boasts an automatic cycle and Jackson's exclusive Sani-Sure™ final rinse system, ensuring proper rinse temperature/sanitization every cycle. Best of all, like all Jackson products, the TempStar provides Clean the First Time® results.

### OPERATING CYCLE TIMES (Seconds) | OPERATING CAPACITY (Racks per Hour)

OPERATING CYCLE	CYCLE TIME	RACKS PER HOUR	GALLONS PER HOUR
Normal	:57	63	56.07
Medium	:117	29	25.81
Heavy	:177	20	17.80
Extra Heavy	:297	12	10.68

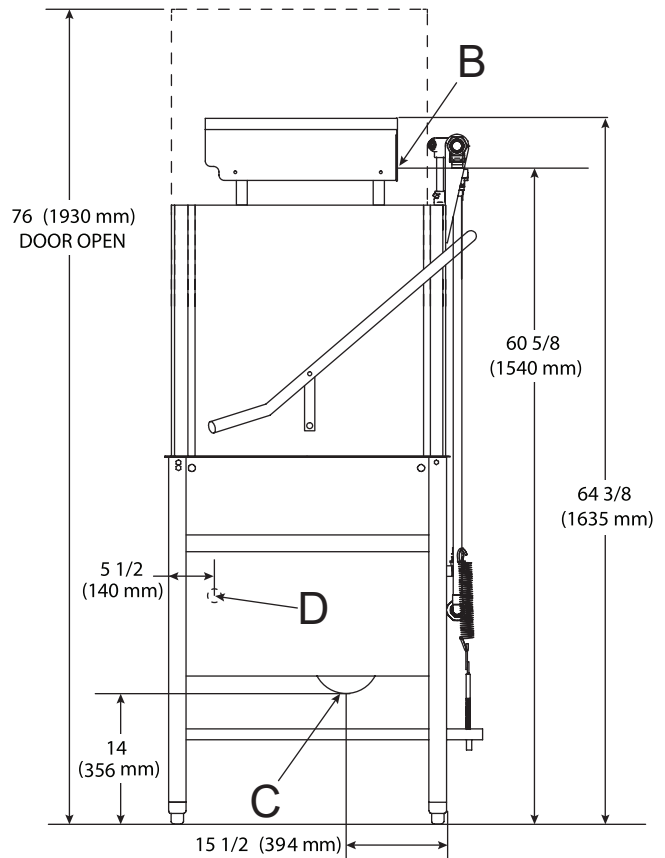
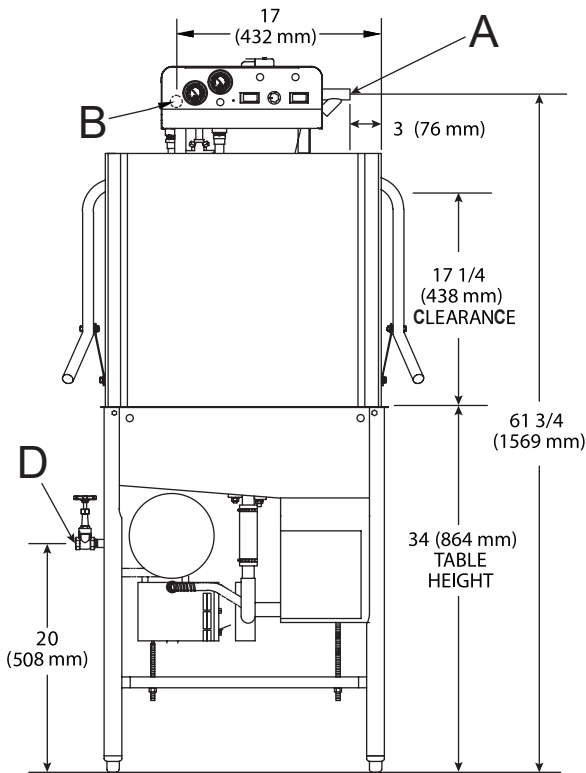




**LEGEND**

- A - Water Inlet (1/2" NPT)
- B - Electrical Connection Point
- C - Drain (1 1/2" NPT)
- D - Optional Steam Connection (3/4" NPT)

*All dimensions from the floor can be increased 1 1/8" using the machine's adjustable feet.*





Warewashing Systems

**Operating Capacity (Normal Cycle)**

Racks per Hour	63 (58)*
Dishes per Hour	1,575
Glasses per Hour	2,268

**Operating Temperature**

Wash Temperature (minimum)	150 °F/66 °C
Rinse Temperature (minimum)	180 °F/82 °C

**Operating Cycle (seconds)**

	Wash	Rinse	Dwell	Total Cycle
Normal	40	10	07	57
Medium	100	10	07	117
Heavy	160	10	07	177
Extra Heavy	280	10	07	297

**Water Consumption**

Gallons per Rack	0.89 (3.4 L)
Gallons per Hour	56.07 (212.3 L)
Gallons per Hour**	51.62 (195.4 L)
Wash Tank Capacity (gallons)	8.00 (30.3 L)
Booster Tank Capacity (gallons)	2.00 (7.6 L)

**Water Requirements**

Incoming Water Temperature	
40 °F Rise	140 °F/60 °C
70 °F Rise	110 °F/43 °C
No Booster	180 °F/82 °C
Flow Pressure (PSI)	10 ± 2
Incoming Water Connection (NPT)	1/2"
Drain Connection (ID)	1 1/2"

**Electrical Specifications**

Wash Pump Motor (HP)		
208V/230V	1	
460V	3/4	
Wash Tank Heater (kW)		
208V	4.1	
230V/460V	5.0	
Rinse Tank Heater (kW)		
	<b>40 °F Rise</b>	<b>70 °F Rise</b>
208V	9.0	10.5
230V/460V	11.0	12.9

Model	Power Supply	Total Load	Minimum Circuit Ampacity	Maximum Overcurrent Protection
40 °F Rise	208/60/3	41.4 A	42.6 A	45.0 A
	230/60/3	45.2 A	46.5 A	50.0 A
	460/60/3	21.4 A	21.7 A	25.0 A
	208/60/1	68.0 A	69.3 A	70.0 A
70 °F Rise	230/60/1	74.7 A	75.9 A	80.0 A
	208/60/3	45.6 A	46.8 A	50.0 A
	230/60/3	49.9 A	51.2 A	55.0 A
	460/60/3	23.7 A	24.0 A	25.0 A
No Booster	208/60/1	75.2 A	76.5 A	80.0 A
	230/60/1	82.7 A	83.9 A	85.0 A
	208/60/3	16.4 A	17.6 A	20.0 A
	230/30/3	17.6 A	18.8 A	20.0 A
	460/60/3	7.5 A	7.8 A	15.0 A
	208/60/1	24.7 A	25.9 A	30.0 A
	230/60/1	26.8 A	28.0 A	30.0 A

**Dimensions**

Width	32" (813 mm)
Depth	29" (737 mm)
Height	64 3/8" (1635 mm)
Height with Door Open	76" (1930 mm)
Inside Clearance Height	17 1/4" (438 mm)
Wall Clearance	
Rear	4" (102 mm)
Side (corner installation)	4" (102 mm)
Drain Height	14" (356 mm)
Weight	238 lbs (108 kg)

**Shipping Details**

Shipping Weight	263 lbs (120 kg)
Shipping Width	33" (838 mm)
Shipping Depth	42" (1067 mm)
Shipping Height	72 1/2" (1842 mm)
Shipping Cube	58.15 cu ft
Shipping Class	200

Advisory: Jackson WWS, Inc. DOES NOT endorse "Tankless On-Demand" water heaters for use with our dishmachines. Jackson WWS, Inc. DOES endorse, and highly recommends, standard "tank" style water heaters, sized to properly handle the water heating requirements of the facility.

\*Racks per hour calculated with NSF suggested load time of :05 for door-type dishmachines (straight through)

\*\*Gallons per hour calculated with NSF suggested load time of :05 for door type dishmachines (straight through)

**Contact Jackson**

07610-002-66-59 [03/21/23]

**Address**6209 N U.S. Highway 25E  
Gray, Kentucky 40734**Telephone & Fax**T 888.800.5672  
F 606.523.1799**Email**

customer.service@jacksonwws.com



JACKSONWWS.COM



JACKSON WAREWASHING SYSTEMS



JACKSON WWS

We reserve the right to change specifications in this document without incurring any obligation for equipment previously or subsequently sold.